



QD UNIVERSAL RAIL MOUNT LASER SYSTEM

FSM-00QD-140

This new system is 50% smaller than previous models and quickly mounts onto any rail system. The new low-profile design will fit into almost any nylon holster.

- Fits all subcompact weapons
- Fits all railed weapons
- Ambidextrous slide switch
- Quick detachable design
- 500-yard range at night
- Adjustments for windage and elevation
- Exclusive FSL Technology
- Made from T6 aluminum
- 650nm laser module
- Full 5mw of power
- One Year Limited Warranty

PARTS INCLUDED



DANGER

LASER LIGHT
AVOID DIRECT EYE EXPOSURE

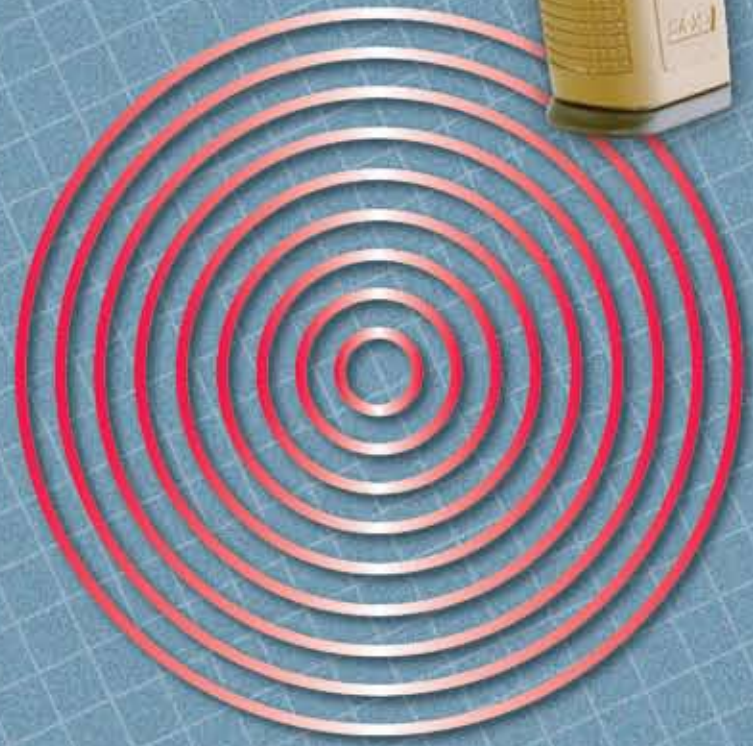
POWER OUTPUT <5mw
WAVELENGTH 630-670nm
CLASS IIIa PRODUCT

RoHS
CE

6 89706 20967 4

FSM-00QD-140

QD UNIVERSAL RAIL MOUNT LASER SYSTEM

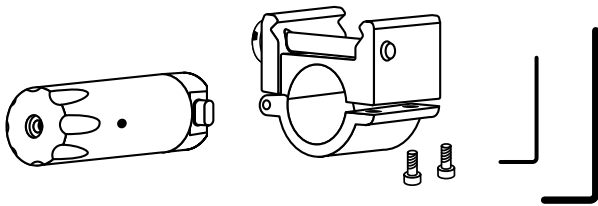


www.laserlyte.com

Accuracy Defined

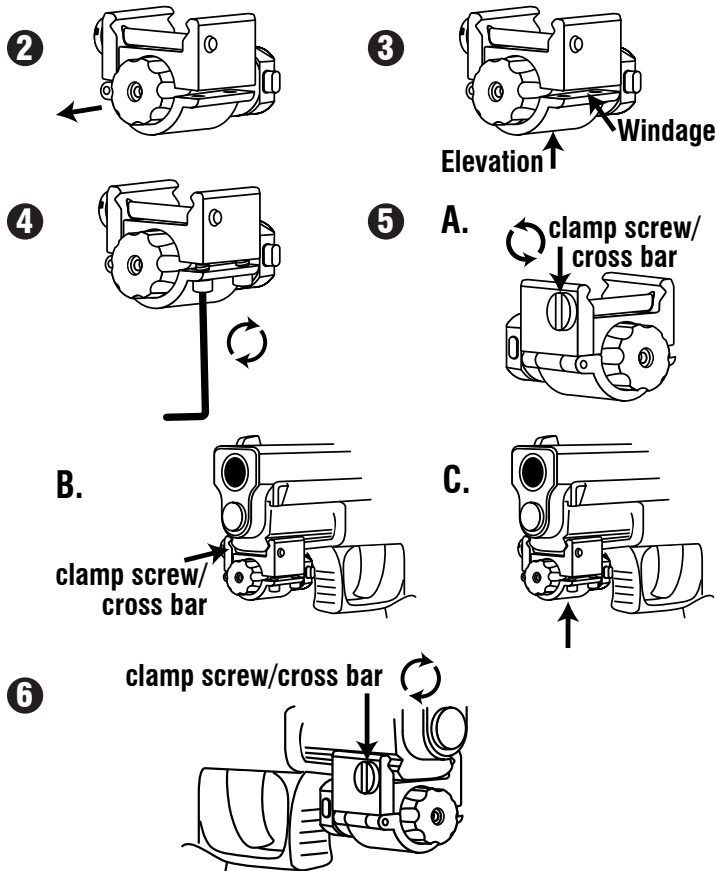
QD Universal-Rail Mount Laser System

FSM-00QD-140



Installation

- 1 **UNLOAD YOUR FIREARM!**
- 2 Insert laser body into the QD mount.
- 3 Align the windage and elevation screws with the slots on the side and the bottom.
- 4 Position the laser in the mount and then tighten down screws.
- 5 A. Loosen the clamp screw/cross bar.
B. Align clamp screw/cross bar with cross cut on rail.
C. Press the laser onto the rail.
- 6 Tighten the clamp screw/cross bar until snug.



Activation

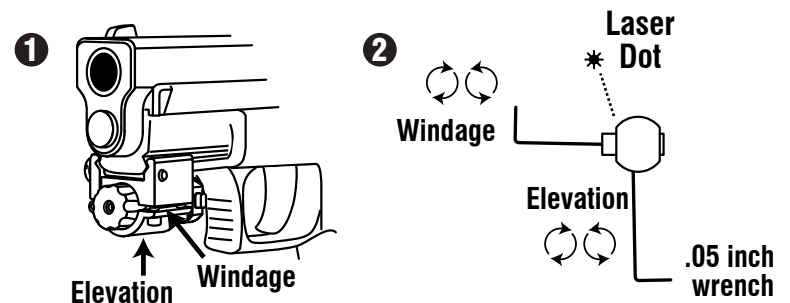
- 1 To turn "On" the laser, press either side of the switch in until it clicks.
To turn "Off" press the switch back to the centered position.

- 1 Back View of Switch



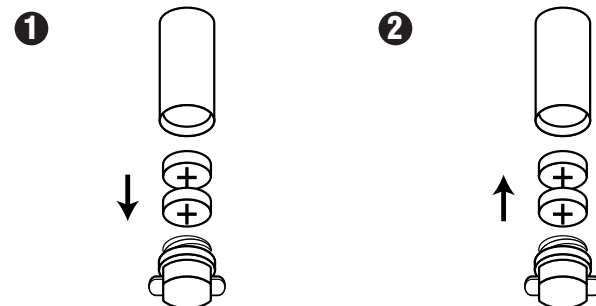
Sight In

- 1 Locate the windage and elevation screw holes.
- 2 Use the provided .05 Allen wrench to adjust the laser in relation to the gun sights. End in a clockwise direction.
- 3 Make final adjustments at shooting range.



Battery Replacement

- 1 Unscrew slide switch and remove old batteries.
- 2 Insert 2 - A76 batteries with positive facing slide switch. Screw switch back into laser.



WARRANTY:
One Year Limited
Warranty.



LASERLYTE®
A Division of P&L Industries
101 Airpark Road - Cottonwood, AZ 86326
Phone 928-649-3201 - Fax 928-649-3970
www.LaserLyte.com